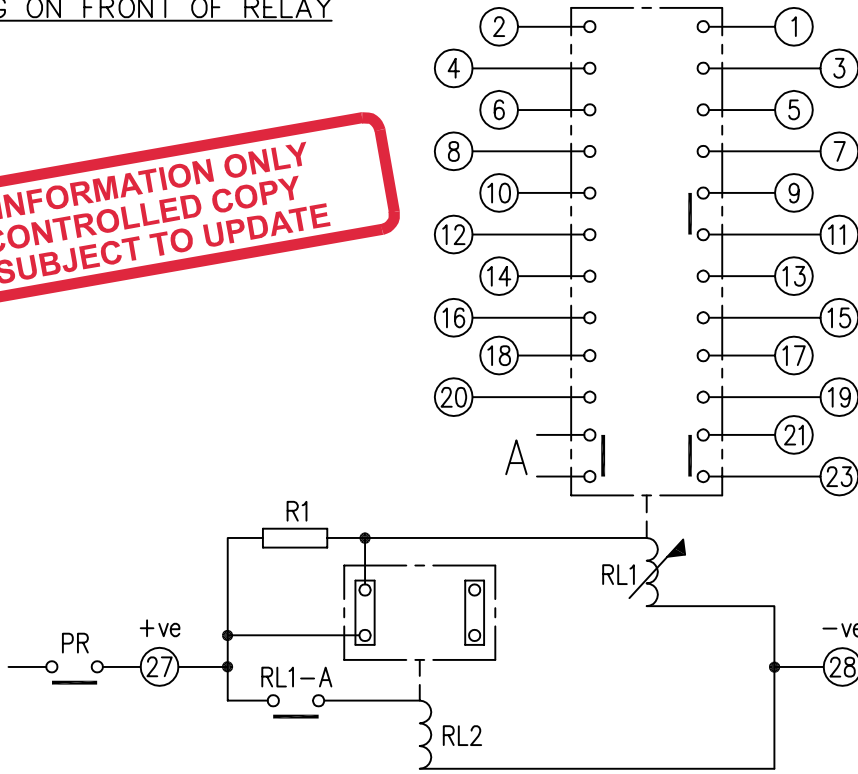


2112W50002

LOOKING ON FRONT OF RELAY

FOR INFORMATION ONLY
UNCONTROLLED COPY
NOT SUBJECT TO UPDATE

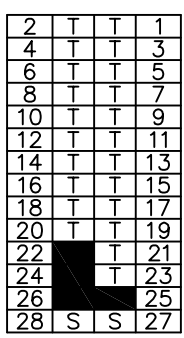


R1	2X180R in para 2102C45181	2X68R in ser. 2102C45680	2X820R in para 2102C45821	2X1K0 in para 2102C45102	2X3K9 in para 2102C45392	2X3K9 in ser. 2102C45392
Vdc	24	30	48	60	125	240

KEY	CONTACT CONFIG.	OUTPUT CONTACT PAIR / TERMINAL No.												NOTE:	
		1-3	2-4	5-7	6-8	9-11	10-12	13-15	14-16	17-19	18-20	21-23			
make contact	11M	M	M	M	M	M	M	M	M	M	M	M	M	1. CONTACT CONFIGURATION ABOVE IS REQUIRED FOR RELAY OPERATION. FOR DETAILS OF VARIABLE CONTACT OPTIONS SEE TABLE OPPOSITE.	
break contact	10M 1B	M	B	M	M	M	M	M	M	M	M	M	M		
c/o contact	9M 2B	B	B	M	M	M	M	M	M	M	M	M	M		
ext. conn	8M 3B	B	B	M	B	M	M	M	M	M	M	M	M		
plug bridge - shorting	7M 4B	B	B	B	B	M	M	M	M	M	M	M	M		
metering point	6M 5B	B	B	B	B	M	B	M	M	M	M	M	M		
5Kv barrier	5M 6B	B	B	M	B	M	M	B	B	B	B	M	M		
test socket - shorting	4M 7B	B	B	B	B	M	M	B	B	B	B	M	M		
plug & socket	3M 8B	B	B	B	B	M	B	B	B	B	B	M	M		
	2M 9B	B	B	B	B	M	B	B	B	B	B	B	M		

FRAME REFERENCE: E4FE02.
FRAME TERMINAL BLOCK ASSY: -

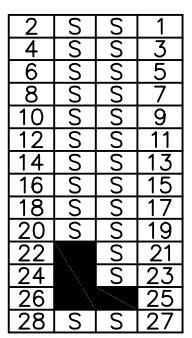
ASSEMBLY INSTRUCTIONS: -
TYPICAL ASSEMBLY DRAWING 2995G10032.
AT INDICATED POSITIONS FIT AS FOLLOWS:
T - FIT TRIP ISOLATION CONTACT 2995B10053
S - FIT STANDARD CONTACT 2995B10054
SECURE CONTACTS USING FIXING SCREW 2109F99009.
POSITIONS SHOWN BLANK ARE UNUSED



VIEW FROM NUMBERED SIDE OF BLOCK

OUTER TERMINAL BLOCK ASSY: -

ASSEMBLY INSTRUCTIONS: -
TYPICAL ASSEMBLY DRAWING 2995G10029.
AT INDICATED POSITIONS FIT AS FOLLOWS:
S - FIT STANDARD CONTACT 2995B10051
HC - FIT 'HEAVY CURRENT' KIT 2995G10030
WHERE IS SHOWN FIT CT SHORTING KIT 2995G10031
POSITIONS SHOWN BLANK ARE UNUSED.
ALL POSITIONS FIT SCREW 2106F12506.



VIEW FROM INSIDE FACE

			Title: T.B. AND WIRING DIAG. FOR TR112-11 RELAYS IN EPSILON E4 CASE.		First used on:	
					Similar Articles:	
					Supersedes:	
2 RDW	11/11/05	MN112/2744	Reyrolle Protection Hebburn.		Drg.No. 2112W50002	
1	13/04/99					
ISSUE	DATE	MOD.No.				
DRAWN:	A.LAW.	CHECKED:	APPROVED:	R.D.WATSON	DATE:	16/07/02
					Copyright © 1998 Reyrolle Ltd	